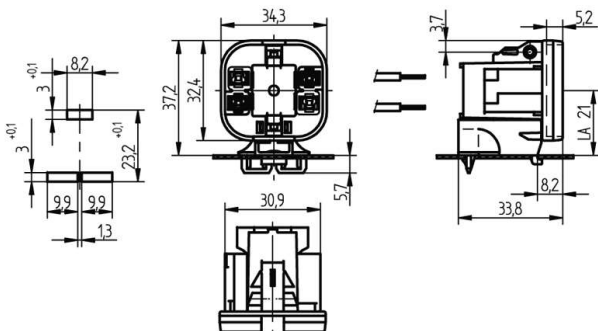


 Create pdf

Lampholders for compact fluorescent lamps

26.745.2571

G24 / GX24



colour	pkg.	wt.	part no.
white	250	13 g	26.745.2571.50

Key: q-3 (26 / 32 Watt)

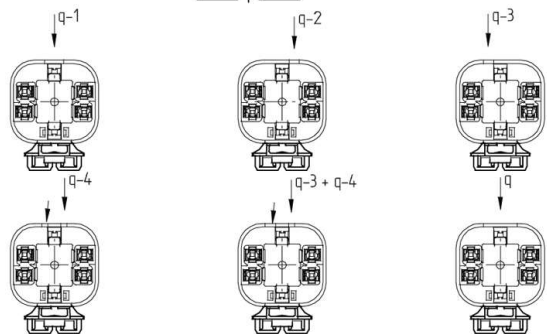
Approval: additional cULus





For lamps TC-DEL, TC-TEL

Swivel fixing

Housing: PBT

- Long holes \varnothing 4.5 x 2.5 mm for screws ISO 1207 - M4
- Holes \varnothing 2.4 mm for self-tapping screws ISO 1481 - ST2.9 - F
- Please note the base diameter (max. \varnothing 61 mm) for lamps with base GX 24.
- If required screw fixing foot 26.745.-440. 50 and lampholders can be supplied separately



T 140		 0.5 - 1.0 mm ²	 18 AWG 0.5 - 1.0 mm ²	 0.6 - 1.0 mm
-------	---	--	--	---

Document generated on: Th, 9. February 2017 - 11:55